

SN-T5

Body Temperature Detection Network Camera



Key Features

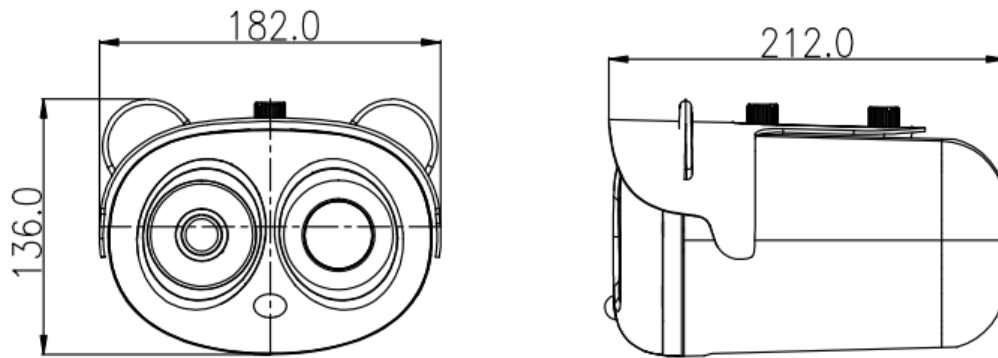
- On-board temp-detection algorithm
- One IP address two channels
- Effective pixels 400×300
- Sensitivity 40mK
- Thermal: 8mm Fixed lens, Visible: 2.7-12mm motorized lens
- Accuracy 0.3°C
- Body detection, up to 16 Targets
- Response Time 30ms
- 17 color control

Specification

Thermal Camera	
Detector Type	Uncooled IRFPA Microbolometer
Effective Pixels	400(H) × 300(V)
Pixel Size	17um
Thermal Sensitivity (NETD)	40mK @F1.0, 300K
Spectral Range	8~14um
Image Setting	Polarity LUT/ DVE/ Mirror/ FCC/ /3D DNR Brightness/Contrast/ ROI
Color Palettes	Black-Heat /White-Heat/Rainbow/Iron-Red up to 17 modes
Thermal Lens	
Lens Type	Fixed
Focus Control	Manual Focus
Focal Length	8mm
F No.	F1.0
Angle of View	H: 46°, V:35.3°
Visible Camera	
Image Sensor	1/1.9" Sony CMOS
Effective Resolution	1920(H) × 1080(V)
Shutter Speed	1/50 ~ 1/64,000s
Wide Dynamic Range	True WDR 120dB
Min. Illumination	Color: 0.01Lux @(F1.2, AGC ON) B/W: 0.001Lux @(F1.2, AGC ON)
S/N Ratio	More than 55dB
Focal Length	2.7 ~ 12mm
Max Aperture	F1.6~ F2.9
Angle of View	105°~ 32°
Focus Control	Motorized
Video and Audio	
Compression	H.265, H.264, MJPEG
Frame Rate	Main Stream: Thermal: D1 @25/30fps Visible: 1920 × 1080/1280 × 720 @25/30fps Sub Stream: Thermal: CIF @25/30fps Visible: D1/VGA/640 × 360/CIF/QCIF/QVGA @25/30fps
Bit Rate Control	CBR/VBR
Bit Rate	Thermal: 100Kbps~6Mbps Visible: main stream: 500Kbps~10Mbps; sub stream: 100Kbps~6Kbps
Region of Interest	Off / On (8 Zone, Rectangle)
Digital Zoom	16x
Mirror	Support
Defog	Support
Motion Detection	Support
Privacy Masking	Off / On (4 Area, Rectangle)
DVE Image Enhance	Support
Audio Compression	G.711, AMR, RAW_PCM (Optional)

Intelligence	
Intelligent Functions	Motion detection, Disk alarm, I/O alarm, Temperature alarm
IVS	Smart Body Detection, Perimeter ,Single Virtual Fences ,Double Virtual Fences ,Object Left ,Object Removed
Temperature Detection	
Detection Mode	Body temperature monitoring
Detection Preset	Max 16 goals
Temperature Alarm	Over temperature alarm, Temperature difference alarm
Accuracy	≤ 0.3 °C (Emission rate, distance, ambient temperature, etc.)
Response Time	≤30ms
Theory of temperature measurement range	-20 °C ~ 60 °C (-4°F ~ 140°F)
Temperature display mode	Temperature target >5°C, Display absolute temperature value; Temperature target ≤5°C, Display relative temperature value (temperature difference DEV = highest value - average)
Network	
Ethernet	RJ-45 (10/100Base-T)
Protocols:	IPv4/IPv6 ,HTTP,RTSP/RTP/RTCP, TCP/UDP, DHCP, DNS, PPPOE, SMTP, SIP ,802.1x
Interoperability	ONVIF, CGI, SDK
Streaming Method	Unicast
Max. User Access	10 Users
Edge Storage	NAS Local PC for instant recording Micro SD card 128GB
Web Viewer	<IE11, Chrome, Firefox
Web Language	English, Chinese, Polish, Italian, Portuguese, Spanish, Russian, French, Czech, Hungarian
Interface	
Ethernet	1 Ethernet (10/100 Base-T) RJ-45 Connector
Audio Interface	1ch Audio In,1ch Audio Out
Alarm	2ch Alarm In,2ch Alarm Out
RS485	Support
BNC Output	N/A
Reset Button	Support (Built-in)
General	
Power Supply	DC12V/POE (IEEE 802.3af)
Power Consumption	Max 10W
Operating Temperature	-30°C~60°C(-22°F~140°F)
Storage Conditions	0~ 90% RH
Certifications	CE /FCC
Ingress Protection	IP66
Casing	Metal
Dimensions	212 × 182 × 136mm
Net Weight	2Kg

Dimensions(mm)



Accessories

Optional:



SN-BK346
Wall bracket



SN-BK350
Ceiling Bracket